



RS-6

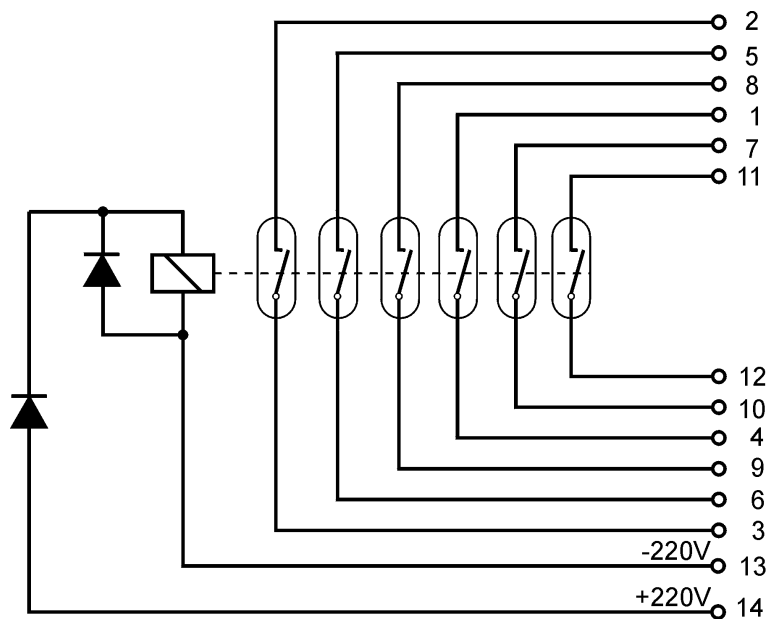
HIGH SPEED

APPLICATION

The RS-6 relay is meant for use in automatic control circuits requiring short pick-up and drop-out time. This is a very fast interposing relay for control and protection circuits. The RS-6 relay has a switching capability comparable with other auxiliary relays, and its contacts can operate in 6 different 220 V DC circuits.

CONSTRUCTION

The relay is mounted in a typical housing size 110 × 55 × 77 mm, with 14 terminals in a form of a plug, suitable to be mounted in a GZ-14 socket (plate-mounting) or GZ-14U (bus-mounting) or GZ14Z - to be mounted in a relay chassis type R8614Z. The Dimensions of the relay are presented on picture 2.



Picture 1. RS-6 relay – functional scheme of connections.

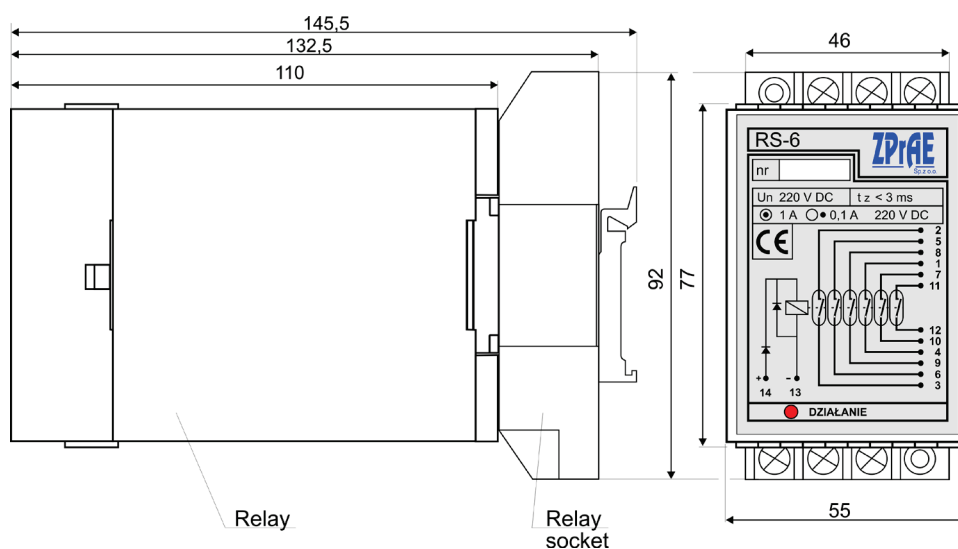
The relay has 6 reed make contacts. Additionally the relay is equipped with a LED signalling operation of the relay. The scheme of connections (terminals) is presented on picture 1.

OPERATION

When voltage is applied to the input terminals (13-14) the reed contacts are closed (operation time $\leq 3\text{ms}$) and the LED lights up. After loss of the input voltage the LED goes off, and all contacts return to their initial position.

TECHNICAL INFORMATION

Data of the coil	
Rated voltage of the coil	$U_N = 220 \text{ V DC}, 110 \text{ V DC},$ or other as ordered
Operate range of the input voltage	$0,8 \dots 1,1 U_N$
Power consumption	$P \leq 3 \text{ W}$ for DC
Contacts of the relay	
Operate time (pick up)	$t_o \leq 3 \text{ ms}$
Release time (drop off)	$t_r < 5 \text{ ms}$
Maximal breaking capacity	$I = 1 \text{ A}$ for $U = 220 \text{ V}; L/R = 40 \text{ ms}$
Maximal continuous current	$I = 1 \text{ A}$
Insulation	
Rated insulation voltage	250 V
Rated impulse voltage (1,2/50 μs) between the coil and the contacts	4000 V
Overvoltage category	III
Proof voltage between the coil and the contacts	2 kV; 50 Hz; 1 min
Proof voltage of the contact gap	2 kV 50 Hz 1 min
General Data	
Enclosure protection degree	IP40
Ambient temperature	From $-10 \text{ }^\circ\text{C}$ to $+55 \text{ }^\circ\text{C}$
Ambient protection	RT II
Signalisation of Operation	LED diode
Terminations (socket / plug)	As for R15 4P
Dimensions	$77 \times 55 \times 110 \text{ mm (H}\times\text{W}\times\text{D)}$
Mounting	Mounting socket as for R15 4p



Picture 2. The Dimensions of the RS relay

Attention:

We have prepared a vast offer of auxiliary equipment in order to support mounting of our relays (cases, sockets, plugs). The auxiliary equipment is designed based on our clients suggestions and many years of our own experience. More information can be found in catalogue: "GZ-14/GZ-14Z, R-8614/R8614Z, ZAS-55, ZAS-70, plugs, sockets and relay-chassis" available at www.zprae.pl

RS-6

Operating
time

3 ms

Release
time

5 ms



OFFER

RE line
ENERGETIC STANDARDS

RSH-3, RSH-3S - tripping

RS-6, RPD-2, RPP-4, RPP-6 - interposing

RMS-2 - signalling

RCW-3, RCDW-1 - circuit continuity monitoring

RKO-3 - power supply circuit
continuity monitoring

RB-1, RBS-1, RBS-2 - bistable

RT-22 - time

RUT-2, RUT-3 - time-voltage

RJT-1, RJT-3 - time-current

RKU-1, RKS-1 - final controlling

LZ-1, LZ-2 - operation counters

RPZ-1 - supply source switching

GPS-1 - time synchronisation

MDD-6, MDS-12 - Diode modules

PH-XX, PS-XX - Modules of switches,
pushbuttons and control lamps

Relay racks

Busbar protections and breaker failure
protections type TSL-9r, TSL-11

Auxiliary and signalization
relays

Reserve Central Signalling System
type MSA-9, MSA-12, MSA-24

Protection relays
type AZT-9, APP-9

Disturbance recorder RZS-9

Energy measurement system
and event recorder ZRZ-28

Load Resistors
for measuring transformers

DC and AC auxiliary
power supply switchgears

Cubicle-contained sets of control
and supervision protections

Modular power supplies, measuring suitcases,
measuring and registering system RFQ-8

PROFIL-L cubicles

Periodical and post-failure tests,
as well as repairs and overhauls
of busbar protections TSL

Servicing, strting-up
and post assembly tests

ZPrAE
Sp.z o.o.

ZAKŁAD PRODUKCYJNY APARATURY ELEKTRYCZNEJ
Sp. z o.o. 41-100 Siemianowice Śląskie, ul. Marii Konopnickiej 13
tel: 32 22 00 120; fax: 32 22 00 125; e-mail: biuro@zprae.pl

Przeznaczone do wytworzenia i sprawdzenia przy użyciu urządzeń zakupionych w ramach projektu współfinansowanego przez UNIĘ EUROPEJSKĄ z Europejskiego Funduszu Rozwoju Regionalnego w ramach Programu Operacyjnego Województwa Śląskiego na lata 2007 - 2013



PROGRAM
REGIONALNY
NARODOWA STRATEGIA SPÓJNOŚCI



Śląskie.
Pozytywna energia

UNIA EUROPEJSKA
EUROPEJSKI FUNDUSZ
ROZWOJU REGIONALNEGO

