



RPD-2
RPP-4
RPP-6

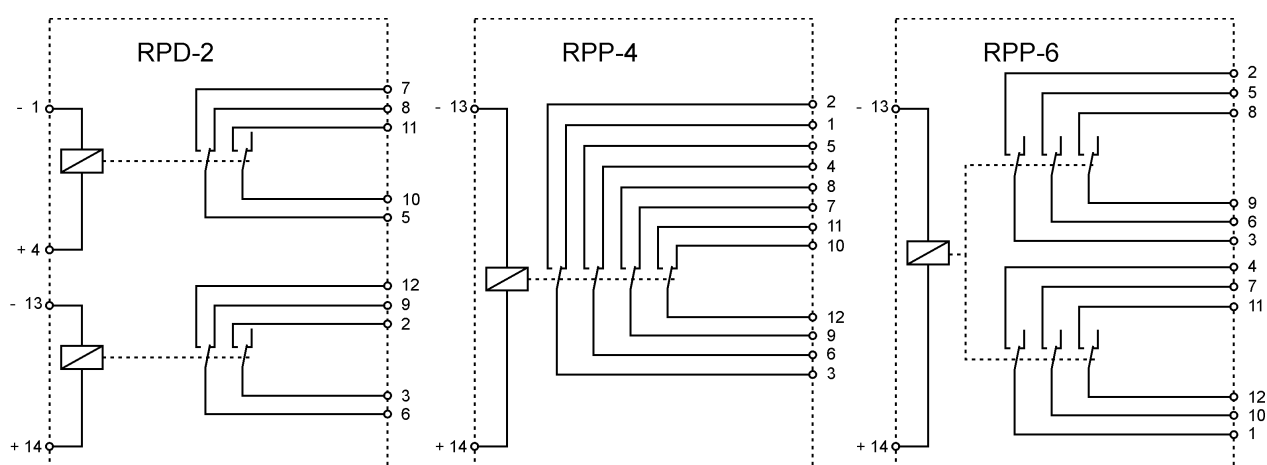
INTERPOSING

APPLICATION

The RPP-4 (D)(G), RPP-6 (G) and RPD-2 relays are meant for use in control-, signalling- and protection circuits. The relays have a switching capability comparable with other auxiliary relays. The RPP-4 and RPP-6 have one steering terminal, and two different configurations of the contacts: RPP-4 has 4 change over-contacts, and RPP-6 has 6 make contacts. The RPD-2 has two steering terminals for two independent relays placed inside the housing. Both relays inside the RPD-2 have one change-over contact and one make contact.

CONSTRUCITON

The relays are mounted in a typical housing sizes 110 × 55 × 77 mm, with 14 terminations in a form of a plug, suitable to be mounted in a GZ-14 socket (plate-mounting), GZ-14U (bus-mounting) or GZ14Z - to be mounted in a relay chassis type R8614Z. The scheme of connections (terminals) is described on picture 1.



Picture 1. Functional schemes of the RP relay family

The relays are equipped with a LED signalling operation of the relay. Sizes of the relays are presented on picture 3.

OPERATION

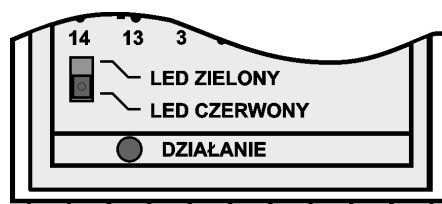
When specified input voltage is applied to the input terminal the contacts are made and the LED lights up. When the input voltage is removed the LED goes off, and all contacts return to their initial position.

G AND D VERSIONS

The RPP-4 G, and RPP-6 G versions have increased, and specifically guaranteed level of non-tripping voltage. These relays may be used in systems, where it is essential to prevent from unwanted operation resulting from fault, transient-state voltage.

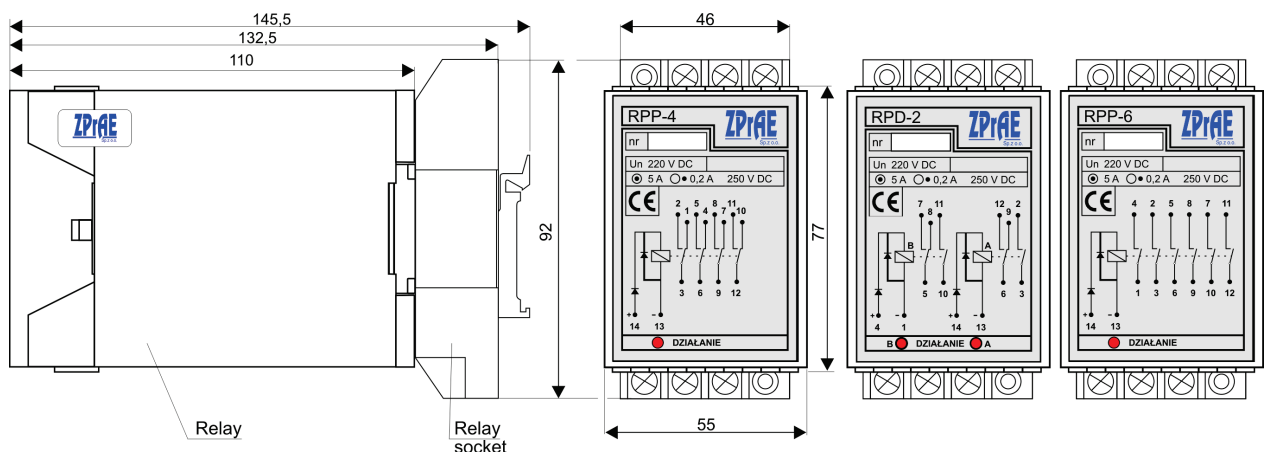
The RPP-4 D version has an additional function enabling changing the colour of the operation signalling LED. Depending on the position of a switch the LED may be red or green. It may be helpful in circuits, where the relay controls application of voltage. In such cases it may be said that application of voltage is a proper state and hence signalled with green light.

Picture 2. The green-red switch on the elevation of the RPP-4D relay.



TECHNICAL DATA ($U_n=220$ V DC)

Data of the coil	
Rated voltage of the coil	$U_N = 220$ V DC, or other as ordered
Operate range of the input voltage	0,8 ... 1,1 U_N
Non-tripping voltage (min) RPP-4, RPP-4D, RPP-6, RPD-2	100 V DC
Non-tripping voltage (min) RPP-4G, RPP-6G	150 V DC
Power consumption RPP-4 i RPP-6	$P \leq 2,5$ W for DC
Power consumption RPP-2	$P \leq 2 \times 1,2$ W for DC
Contacts of the relay	
Maximal breaking capacity DC	$I = 0,2$ A for $U = 220$ V; $L/R = 40$ ms
Maximal continuous current	$I = 5$ A
Insulation	
Rated insulation voltage	250 V
Rated impulse voltage (1,2/50 μ s) between the coil and the contacts	4000 V
Overtoltage category	III
Proof voltage between the coil and the contacts	2 kV; 50 Hz; 1 min
Proof voltage of the contact gap	1 kV 50 Hz 1 min
General Data	
Enclosure protection degree	IP40
Ambient temperature	From -10 °C to $+55$ °C
Ambient conditions protection	RT II
Signalisation of Operation	Red LED diode For "D" version – red or green
Terminations (socket/plug)	As for R15 4P
Dimensions	77 × 55 × 110 mm (H×W×D)
Mounting	Into Mounting socket as for R15 4P



Picture 3. Dimensions of the RSH-3 relay.

Attention:

We have prepared a vast offer of auxiliary equipment in order to support mounting of our relays (cases, sockets, plugs). The auxiliary equipment is designed based on our clients suggestions and many years of our own experience. More information can be found in catalogue: "GZ-14/GZ-14Z, R-8614/R8614Z, ZAS-55, ZAS-70, plugs, sockets and relay-chassis" available at www.zprae.pl

RPD-2 RPP-4 RPP-6



OFFER



RSH-3, RSH-3S - tripping

RS-6, RPD-2, RPP-4, RPP-6 - interposing

RMS-2 - signalling

RCW-3, RCDW-1 - circuit continuity monitoring

RKO-3 - power supply circuit
continuity monitoring

RB-1, RBS-1, RBS-2 - bistable

RT-22 - time

RUT-2, RUT-3 - time-voltage

RJT-1, RJT-3 - time-current

RKU-1, RKS-1 - final controlling

LZ-1, LZ-2 - operation counters

RPZ-1 - supply source switching

GPS-1 - time synchronisation

MDD-6, MDS-12 - Diode modules

PH-XX, PS-XX - Modules of switches,
pushbuttons and control lamps

Relay racks

Busbar protections and breaker failure
protections type TSL-9r, TSL-11

Auxiliary and signalization
relays

Reserve Central Signalling System
type MSA-9, MSA-12, MSA-24

Protection relays
type AZT-9, APP-9

Disturbance recorder RZS-9

Energy measurement system
and event recorder ZRZ-28

Load Resistors
for measuring transformers

DC and AC auxiliary
power supply switchgears

Cubicle-contained sets of control
and supervision protections

Modular power supplies, measuring suitcases,
measuring and registering system RFQ-8

PROFIL-L cubicles

Periodical and post-failure tests,
as well as repairs and overhauls
of busbar protections TSL

Servicing, strting-up
and post assembly tests

ZPrAE
Sp.z o.o.

ZAKŁAD PRODUKCYJNY APARATURY ELEKTRYCZNEJ

Sp. z o.o. 41-100 Siemianowice Śląskie, ul. Marii Konopnickiej 13
tel: (032) 2200120; fax: (032) 2200125; e-mail: biuro@zprae.pl